

JUNCTION BOXES

AISI 304 STAINLESS STEEL

LAUMAS®



- AISI 304 STAINLESS STEEL JUNCTION BOX
- IP67 PROTECTION RATING
- WORKING TEMPERATURE: -20 °C +60 °C
- 4/6 WIRES LOAD CELLS CONNECTION

	DESCRIPTION	CODE
EQUALIZATION BOARD		
	<ul style="list-style-type: none">■ Up to 4 load cells connection.■ 4+1 polyamid cable glands M16x1.5 - plugs.■ Lightning and electrical shock protection device.	CE41INOX
	<ul style="list-style-type: none">■ Up to 8 load cells connection.■ 8+1 polyamid cable glands M16x1.5 - plugs.■ Lightning and electrical shock protection device.	CE81INOX
	<ul style="list-style-type: none">■ Up to 4 load cells connection.■ 4+1 polyamid cable glands M12x1.5 - plugs.	CE41INOXP
PARALLEL CONNECTION BOARD		
	<ul style="list-style-type: none">■ Up to 4 load cells connection.■ 4+1 polyamid cable glands M12x1.5 - plugs.	C41INOXP

CERTIFICATIONS

ERC Complies with the Eurasian Custom Union standards

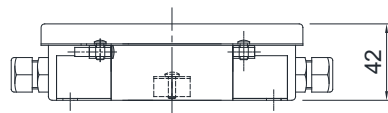
JUNCTION BOXES

AISI 304 STAINLESS STEEL

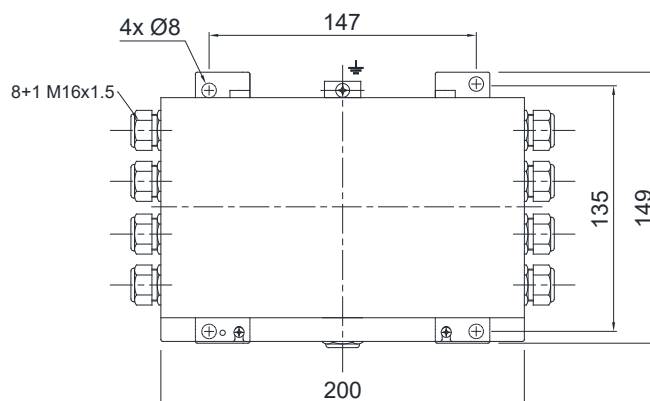
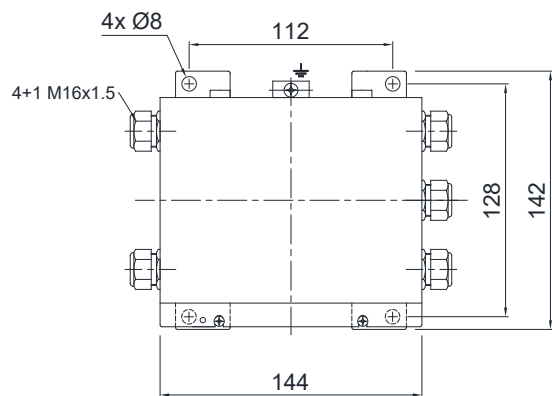
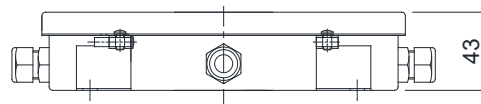
LAUMAS®

DIMENSIONS (mm)

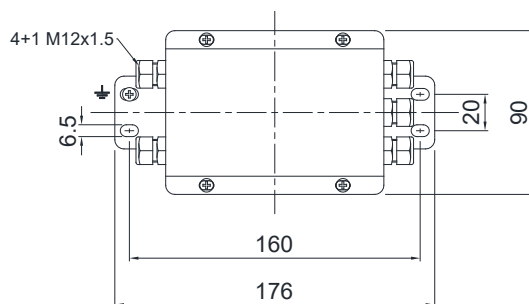
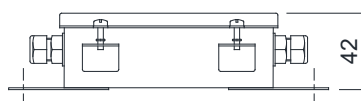
CE41INOX



CE81INOX

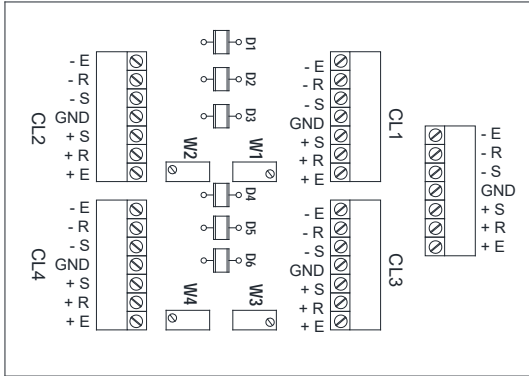


CE41INOXP - C41INOXP

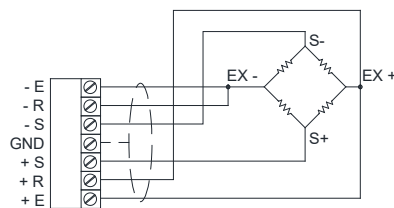


ELECTRICAL CONNECTIONS

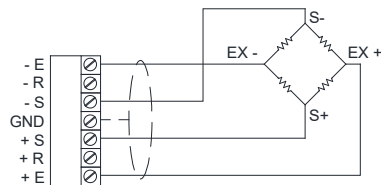
CE41INOX



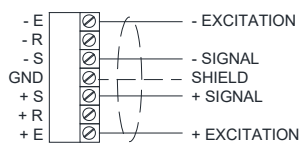
6-WIRES LOAD CELLS CONNECTION



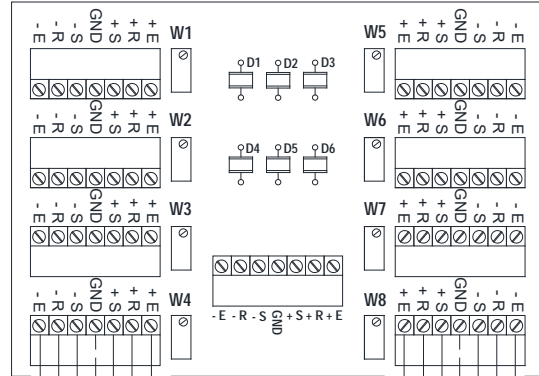
4-WIRES LOAD CELLS CONNECTION



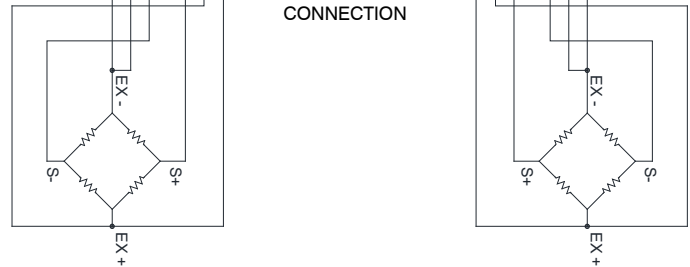
4-WIRES OUTPUT CABLE WITH 4 WIRES LOAD CELL



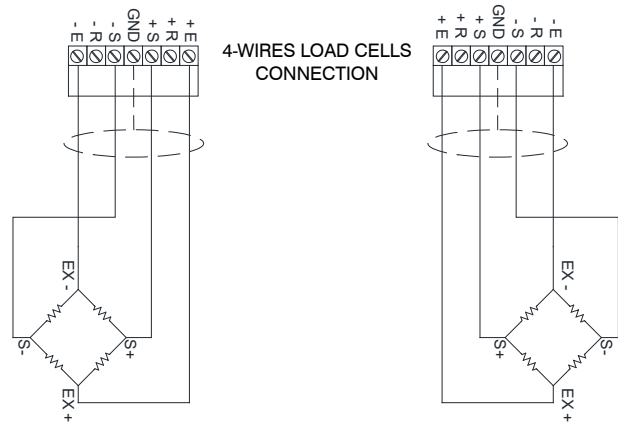
CE81INOX



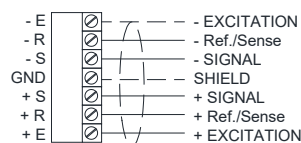
6-WIRES LOAD CELLS CONNECTION



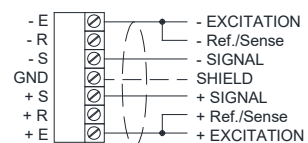
4-WIRES LOAD CELLS CONNECTION



6-WIRES OUTPUT CABLE WITH 6 WIRES LOAD CELL

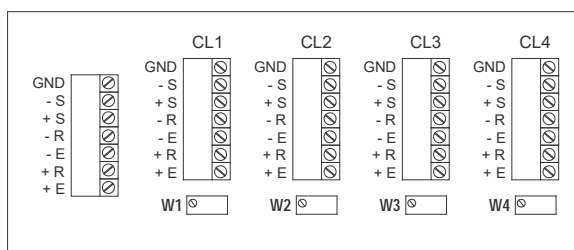


6-WIRES OUTPUT CABLE WITH 4 WIRES LOAD CELL

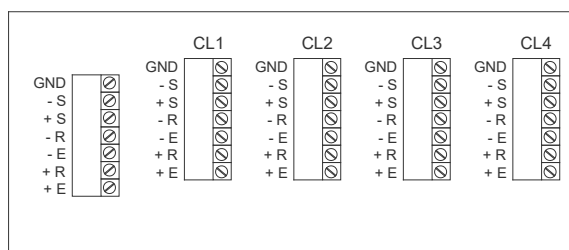


ELECTRICAL CONNECTIONS

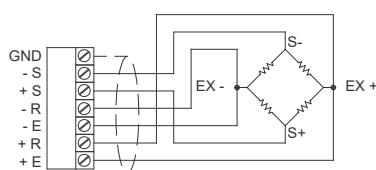
CE41INOXP



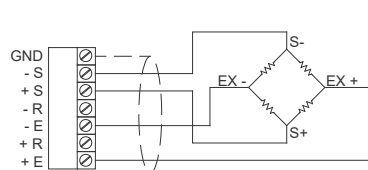
C41INOXP



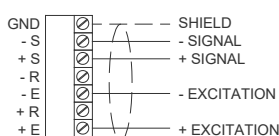
6-WIRES LOAD CELLS CONNECTION



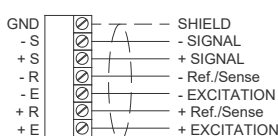
4-WIRES LOAD CELLS CONNECTION



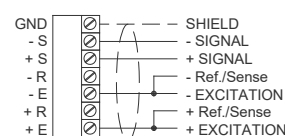
4-WIRES OUTPUT CABLE WITH 4 WIRES LOAD CELL



6-WIRES OUTPUT CABLE WITH 6 WIRES LOAD CELL



6-WIRES OUTPUT CABLE WITH 4 WIRES LOAD CELL



EQUALIZATION PROCEDURE

WARNING!

- For load cells with 2 mV/V sensitivity the difference between the sensitivities must not be greater than 0.1 mV. For load cells with 3 mV/V sensitivity the difference between the sensitivities must not be greater than 0.15 mV.
- CE41ATEX - CE81ATEX: the board is equipped with a 50 Ω potentiometer for each load cell.
C41INOXP: the board is equipped with a 20 Ω potentiometer for each load cell.

Example with 4 load cells and a sample weight of 978 kg:

- Turn the potentiometers' screw counterclockwise until to 0 Ω .
- Place the sample weight in correspondence with the CL1 load cell and take note of the value shown on the display; repeat the same operation for all load cells.
Example: CL1 = 1008 kg CL2 = 998 kg
CL3 = 973 kg CL4 = 985 kg
- Adjust the potentiometers related to the higher weight values (W1, W2, W4), leaving the lowest one unchanged (W3).
- Place the sample weight in correspondence with the CL1 load cell; by adjusting the potentiometer W1 change the value shown on the display from 1008 kg to 973 kg.
- Place the sample weight in correspondence with the CL2 load cell; by adjusting the potentiometer W2 change the value shown on the display from 998 kg to 973 kg.
- Place the sample weight in correspondence with the CL4 load cell; by adjusting the potentiometer W3 change the value shown on the display from 985 kg to 973 kg.
- Place the sample weight in correspondence with the CL3 load cell and take note of the value shown on the display, for example 966 kg.
- Place the sample weight in correspondence with the CL1 and adjust the potentiometer W1 until 966 kg is displayed.
- Place the sample weight in correspondence with the CL2 and adjust the potentiometer W2 until 966 kg is displayed.
- Place the sample weight in correspondence with the CL4 and adjust the potentiometer W3 until 966 kg is displayed.
- Place the sample weight in correspondence with the CL3 and take note of the value shown on the display, for example 962 kg.
- Repeat the procedure several times until the display shows the same weight value for all four load cells.
- Remove the sample weight and zero the tare, then place the sample weight in the middle and calibrate the instrument (see the instrument's user manual).