

# V15000-V30000-V100000

MOUNTING KIT for COMPRESSION-LOW PROFILE load cells



## LOAD CELL SYSTEMS

Series load cells: **CBL - CBX**

Application range from 15000 to 100000 kg



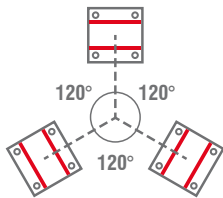
MAX STATIC LOAD kg	FOR LOAD CELLS	NET WEIGHT OF MOUNTING KIT (kg)	CODE
<b>30000</b>	CBL (15000 kg) - CBX (30000 kg)*	9	V15000
<b>50000</b>	CBL (30000 kg) - CBX (50000 kg)*	17.5	V30000
<b>100000</b>	CBL (50000 kg) - CBL (100000 kg)	33.5	V100000

Load cell not included.

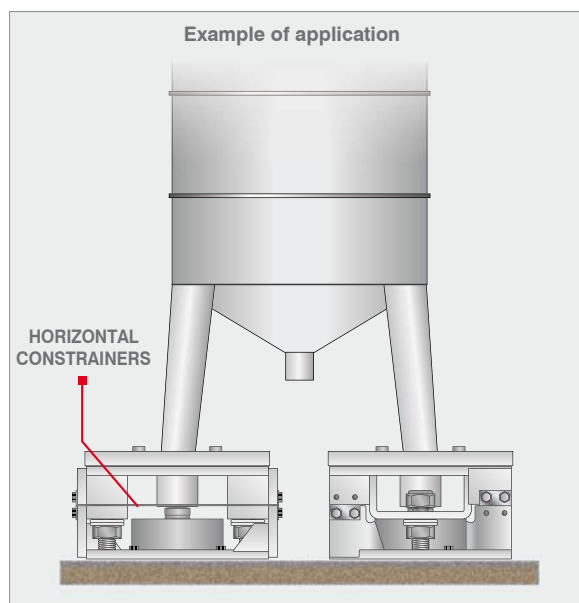
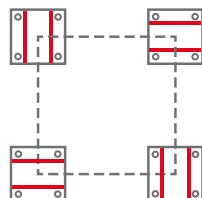
### DESCRIPTION

- AISI 304 stainless steel upper and lower plates.
- AISI 304 stainless steel laminas against lateral forces.
- Anti-tilt system consists of two threaded bars with self-locking nut.

HORIZONTAL CONSTRAINERS ORIENTATION IN STRUCTURE WITH 3-POINTS SUPPORT



HORIZONTAL CONSTRAINERS ORIENTATION IN STRUCTURE WITH 4-POINTS SUPPORT



### COMPLEMENTARY ACCESSORIES



DESCRIPTION	CODE
* AISI 304 stainless steel adapter for CBX load cells:	
- V15000      Ø110x6 mm	ADAT100CBX15T
- V30000      Ø126x9 mm	ADAT126CBX30T
- V100000     Ø165x29 mm	ADAT165CBX50T

# V15000-V30000-V100000

MOUNTING KIT for COMPRESSION-LOW PROFILE load cells



# LOAD CELL SYSTEMS

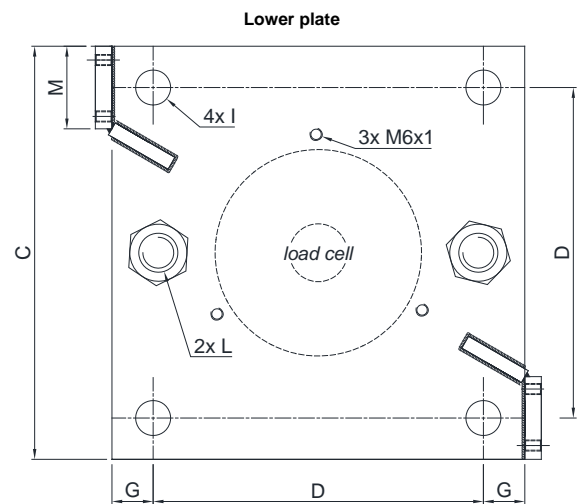
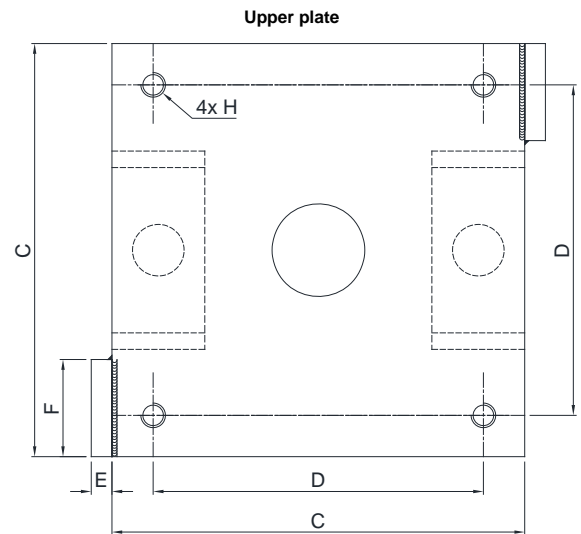
## DIMENSIONS AND TECHNICAL SPECIFICATIONS

Upper and lower plates **2** must rest completely on not deformable surfaces. To ensure the stability of the structure, the system designer must predict any further precaution against side shifts and anti-tilt in function of: knocks and vibrations, wind effect, seismic conditions and hardness of support structure.

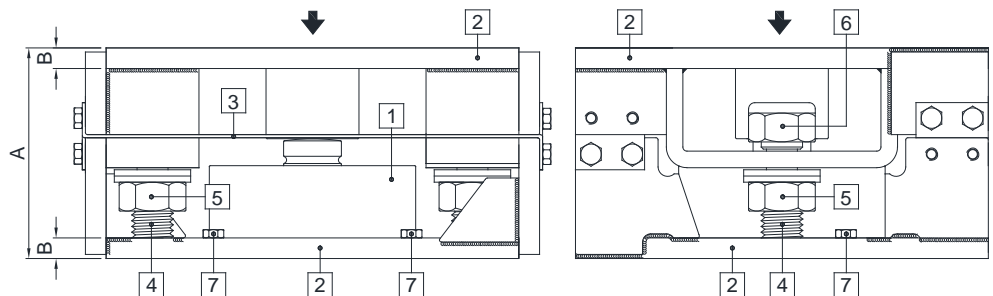
- Install the weighed system using only the mounting kit without the load cell **1** and inserting in its place a piece of pipe (1-2 mm higher than the load cell).
- To finish the installation (weldings, etc.), remove the piece of pipe and then removing the bolts to fix the the load cell **7** insert the load cell **1** in mounting kit.
- Connect lower and upper plates **2** to the earthing system then loosen nuts **5**; erify that the threaded bar **4** slides into the hole; turn anti-tilt nuts **6** to a distance of 1 mm from plate.
- Tighten the three bolts to fix the load cell **7**.

	A	B	C	D	E	F	G	H	I	L	M	Weight
V15000	102	10	200	160	10	47	20	M12x1.75	Ø17	M20x2.5	40	9 kg
V30000	132	12	250	185	12	70	32.5	M18x2.5	Ø20	M24x3	60	17 kg
V100000	155	15	320	250	15	95	35	M20x2.5	Ø23	M30x3.5	70	34 kg

Dimensions (mm)



- 1** Load cell.
- 2** AISI 304 stainless steel upper and lower plates.
- 3** AISI 304 stainless steel laminas with horizontal constringer function.
- 4** Threaded bar.
- 5** Nut to be used as jack.
- 6** Anti-tilt self-locking nut.
- 7** M6 bolts to fix the load cell.



Load Cell Systems reserves the right to change specifications without notice. ©2020

Web: <https://loadcellsys.com>

Email: [sales@loadcellsys.com](mailto:sales@loadcellsys.com)

Phone: 607-426-1467