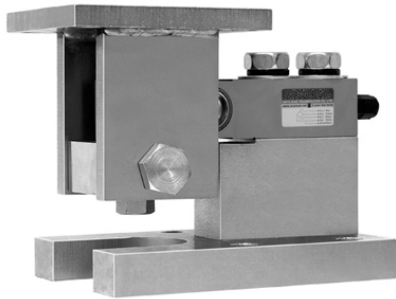


# WA-02 Weigh Module

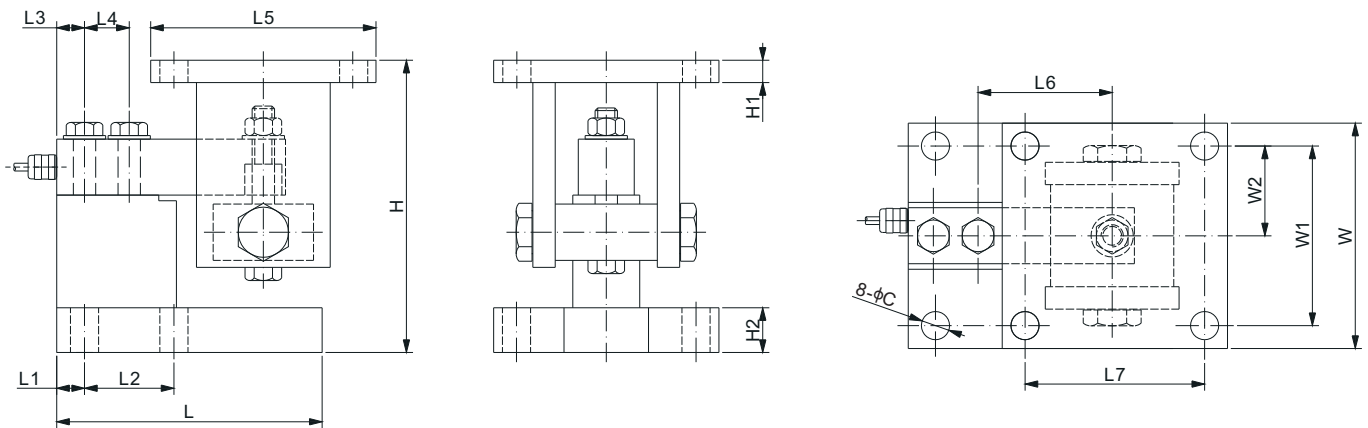
## Alloy Steel



### Features:

- Assembles: SEL-01 single ended beam load cell
- Capacities: 100lb-10Klb
- Center pivoted and self-checking
- Tension load applied to the load cell is converted to compression load application for the weigh module

Load Cell Not Included.



### DIMENSIONS

LOAD CELL CAPACITY	C	H <sub>Min/Max</sub>	H1	H2	L	L1	L2	L3	L4	L5	L6	L7	W	W1	W2
<b>lb/inches</b>															
100-4,000;SE5,000	0.63	6.50/6.69	0.50	1.00	5.98	0.67	2.00	0.62	1.00	5.04	3.00	4.02	5.04	4.02	2.01
5,000-10,000	0.63	6.50/6.69	0.50	1.00	7.76	1.06	2.99	0.75	1.50	5.04	3.75	4.02	5.04	4.02	2.01
<b>kg/mm</b>															
100-2,000	16.0	165.0/170.0	12.7	25.4	152.0	17.0	50.8	15.80	25.4	128.0	76.2	102.1	128.0	102.1	51.1
3,000-5,000	16.0	165.0/170.0	12.7	25.4	197.0	27.0	75.9	19.10	38.1	128.0	95.3	102.1	128.0	102.1	51.1

SE refers to small envelope

Load Cell Systems reserves the right to change specifications without notice. ©2018

Web: <https://loadcellsys.com>

Email: [sales@loadcellsys.com](mailto:sales@loadcellsys.com)

Phone: 607-426-1467